



16

Hard metal brazed tips, type 16. Design and dimensions

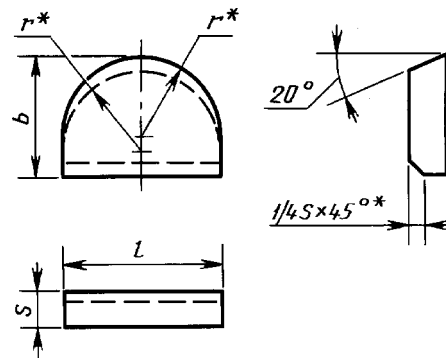
25405-90

25.100
77.160
19 6000

01.07.93

1.
2.

.1.



*

1

| | <i>l</i> | <i>b</i> | | | | |
|-------|----------|----------|-----|------|---|-------------------------|
| 16010 | 8 | 8 | 3,0 | 4,0 | 5 | |
| 16030 | 10 | 10 | 3,5 | 5,0 | | 3, 4, 5, 7, 8, 9, 10 |
| 16050 | 12 | 12 | 4,5 | 6,0 | | 3, 4, 7, 8, 9, 10 |
| 16210 | 16 | 14 | 5,0 | 8,0 | | 3, 4, 5, 7, 8, 9, 10 |
| 16250 | 20 | 16 | 6,0 | 10,0 | | |
| 16370 | 24 | 20 | 7,0 | 12,0 | | |
| 16390 | 32 | 25 | 8,0 | 16,0 | | |

- 3. — 25393.
- 4.
- 5. — 2209.
- 6. : 3— 14 8; 4— 5 10; 5— 10 8- ; 7— ;
8- 6- , 6- ; 9- 6, 10- 8.

2

| | 14 8 | 5 10 | 10 8- | | 6- , 6- , 6 | 8 |
|-------|-------|-------|-------|-------|-------------------|-------|
| 16010 | 1,79 | 2,02 | 2,16 | 2,40 | 2,36 | 2,33 |
| 16030 | 3,23 | 3,65 | 3,91 | 4,32 | 4,25 | 4,20 |
| 16050 | 6,00 | 6,75 | 7,23 | 8,00 | 7,90 | 7,80 |
| 16210 | 10,20 | 11,60 | 12,40 | 13,70 | 13,50 | 13,30 |
| 16250 | 18,30 | 19,30 | 20,70 | 22,90 | 22,50 | 22,20 |
| 16370 | 29,00 | 32,80 | 35,10 | 38,80 | 38,20 | 37,70 |
| 16390 | 63,00 | 70,00 | 75,00 | 84,00 | 82,00 | 81,00 |

1.

2. —

31.10.90 2762

3.

25405-82

4. -

2209-90
25393-90

5
3

5.